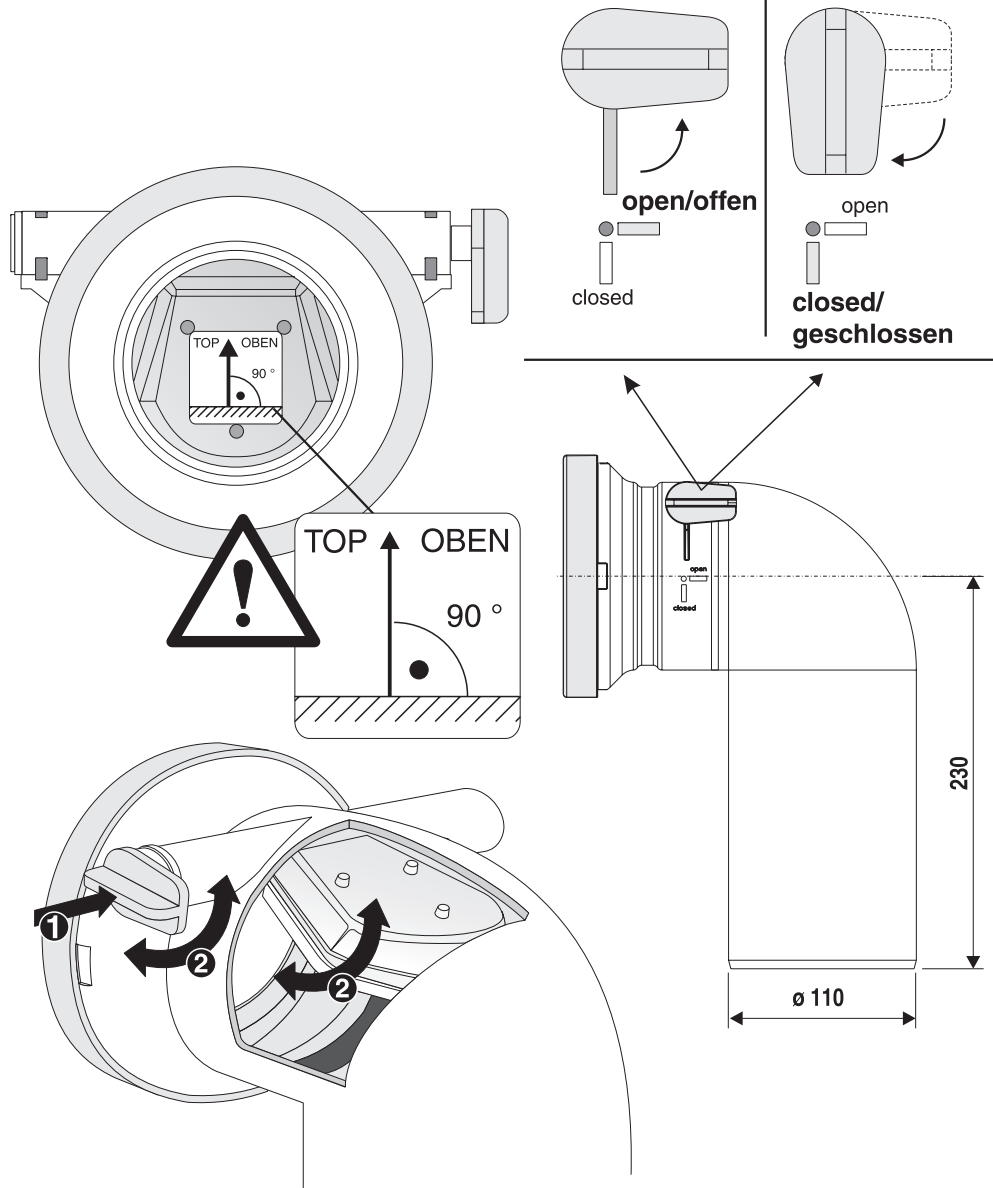


[mm]

PM.A31.14...4500 · IX/13



[mm]

PM.A31.14...4500 · IX/13

