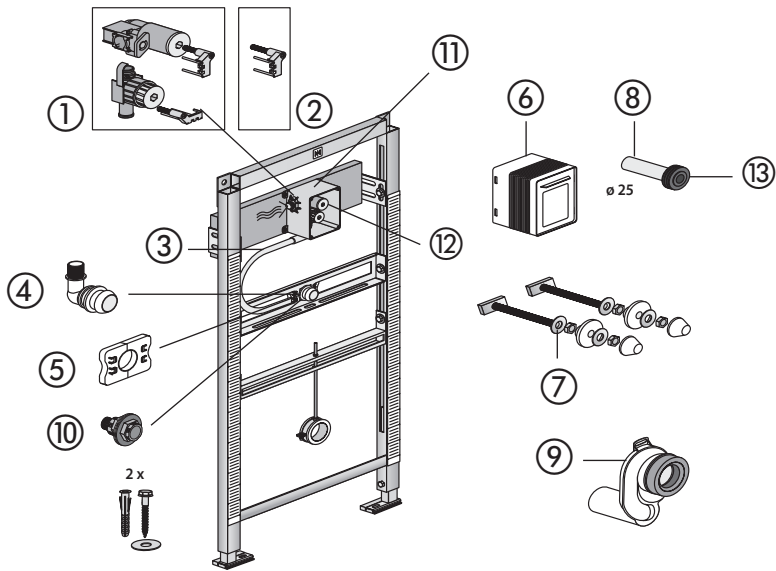
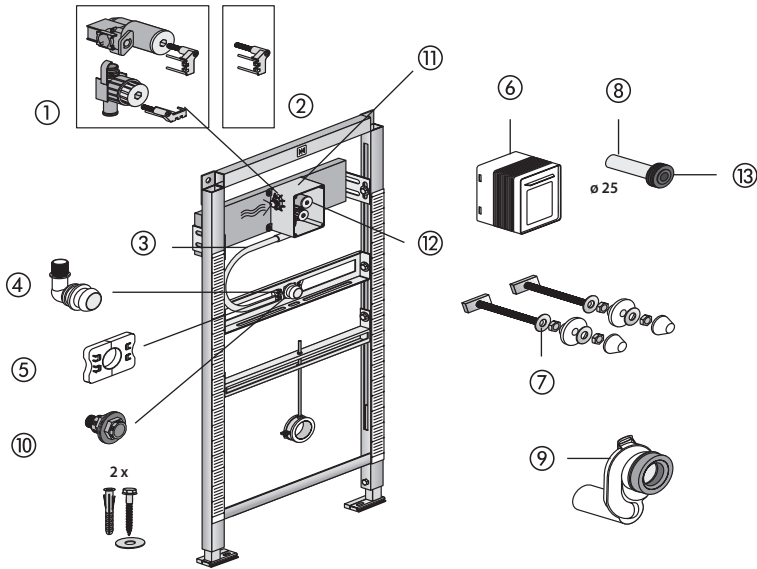


Urinal-Element INEO ab 2014 (Art.-Nr. 90.668.00..T000)



| Nr. | Bezeichnung | Art.-Nr. | Unverb. Richtpreis/€ |
|-----|---|-----------------|----------------------|
| 1 | Wasserstrecke inkl. Sicherungsklammer (ab Baujahr 2014) | 05.025.00..0000 | |
| 2 | Sicherungsklammer | 05.027.00..0000 | |
| 3 | Flexschlauch 400 mm, DN 13 | 05.029.00..0000 | |
| 4 | Urinalwinkel | 05.030.00..0000 | |
| 5 | Klammer 2 Stück | 04.213.00..0000 | |
| 6 | Fliesenlehre | 05.026.00..0000 | |
| 7 | Urinal Befestigungsset | 03.809.00..0000 | |
| 8 | Urinal-Zulaufgarnitur, Kunststoff* | 05.028.00..0000 | |
| 9 | Urinal-Absauggeruchverschluss DN 50 | 31.410.00..0000 | |
| 10 | Anschlusset für Urinal mit Sprühkopf | 05.013.00..0000 | |
| 11 | Rohbaukasten komplett | 03.954.00..0000 | |
| 12 | Verschlussstopfen für Filtereinsatz | 02.206.00..0000 | |
| 13 | Spülrohrmuffe | 04.247.00..0000 | |
| | * bei größeren Wandaufbau Rohr-20 cm ø25 x 2,8 Art. 75.591.08..0000 Seite 398 verwenden | | |

Urinal element INEO (from 2014) (Code No. 90.668.00..T000)



| No. | Name | Code No. | Recommended price/€ |
|-----|---|-----------------|---------------------|
| 1 | Water duct incl. securing clamp (since 2014) | 05.025.00..0000 | |
| 2 | Securing clamp | 05.027.00..0000 | |
| 3 | Flexible hose 400 mm, DN 13 | 05.029.00..0000 | |
| 4 | Urinal bracket | 05.030.00..0000 | |
| 5 | Clamps 2 pieces | 04.213.00..0000 | |
| 6 | Tiling set | 05.026.00..0000 | |
| 7 | Urinal fastening set | 03.809.00..0000 | |
| 8 | Urinal inlet fitting, plastic* | 05.028.00..0000 | |
| 9 | Urinal exhaust trap DN 50 | 31.410.00..0000 | |
| 10 | Connection set for urinal with spray head | 05.013.00..0000 | |
| 11 | Urinal roughing-in box | 03.954.00..0000 | |
| 12 | Sealing plug for filter cartridge | 02.206.00..0000 | |
| 13 | Urinal flush pipe joint | 04.247.00..0000 | |
| | * for larger wall construction use pipe 20 cm d: 25 x 2.8 code no. 75.591.08..0000 see page 398 | | |