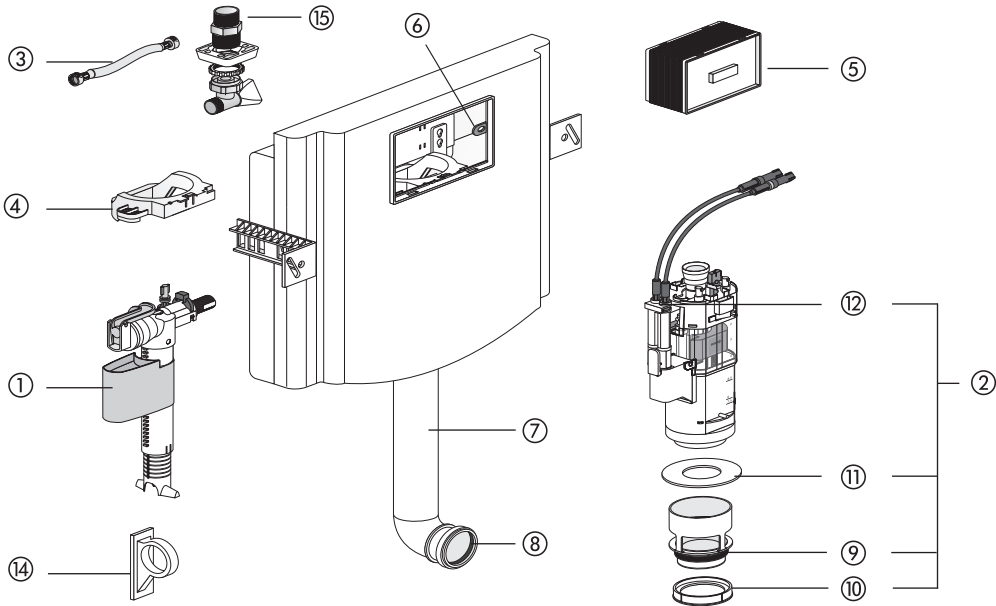


**Concealed cistern INEO, CC-121-S-FO-2V-2C, with small access opening**



No.	Name	Code No.	Recommended price/€
1	Universal fill valve 510, G ½ x 30 mm	25.001.00.0000	
2	Universal flush valve INEO	03.982.00.0000	
3	Flexible hose DN6 280 mm	05.266.00.0000	
4	Positioning device	04.204.00.0000	
5	Protection box, l/w 175 x 115 mm	16.030.00.0000	
6	Toggle	02.972.00.0000	
7	Flush pipe with lip seal	05.052.00.0000	
8	Lip seal d: 45	02.461.00.0000	
9	O-Ring d: 55 x 5	02.436.00.0000	
10	Flush flow reducer	02.758.00.0000	
11	Sealing ring d: 31 x d: 63 x 2.8	02.754.00.0000	
12	Cable box	05.019.00.0000	
13 *	Start/stop set	03.999.00.0000	
14	Fill valve support	03.851.00.0000	
15	Angle valve connection set R ½	05.173.00.0000	

\* no illustration, see page 122