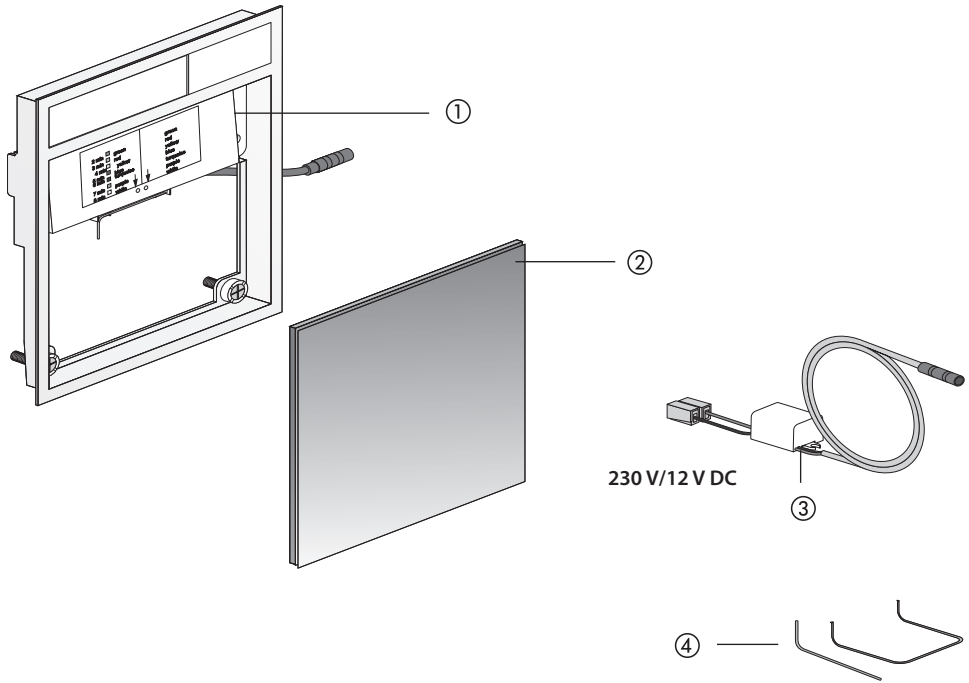


**Push plate LIS with illumination, flush mounted (Code No. 16.734.00..00XX)**



No.	Name	Code No.	Recommended price/€
1	Illumination module	05.134.00..0000	
2	Design element glass, white	05.021.00..0001	
3	Power supply 230 V / 12V DC	05.135.00..0000	
4	Clip and Key	04.245.00..0000	