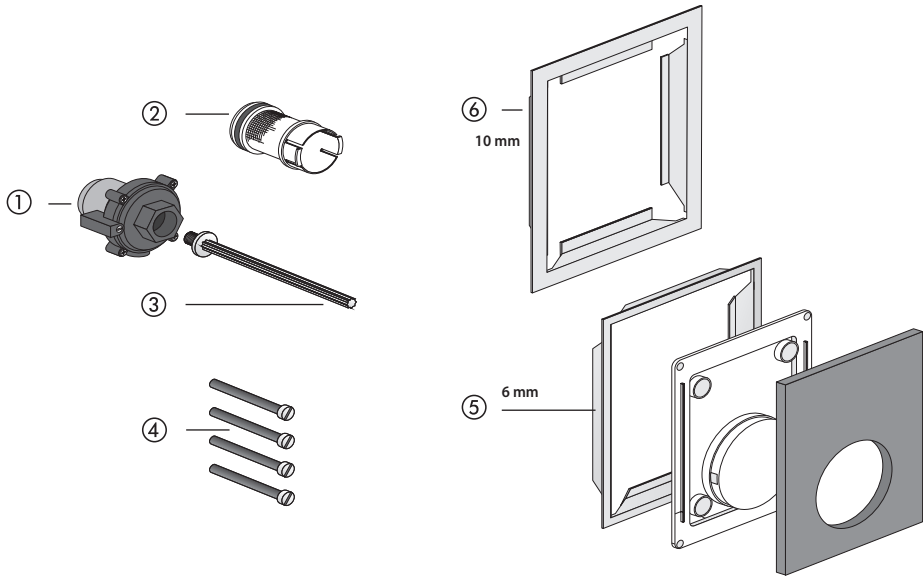


**Urinal cover plate, hand-operated, flush mounted (APIS 6 SM)**



No.	Name	Code No.	Recommended price/€
1	Pneumatic cartridge valve	03.341.00..0000	
2	Filter for cartridge valve technology	03.343.00..0000	
3	Pressure pin for urinal technology	04.012.00..0000	
4	Fastening screws M5 x 70 (4 pcs.)	03.107.00..0000	
5	Urinal blind frame 6 mm, polished stainless steel	04.084.00..0000	
6	Urinal retrofit blind frame 10 mm polished stainless steel	04.068.00..0000	