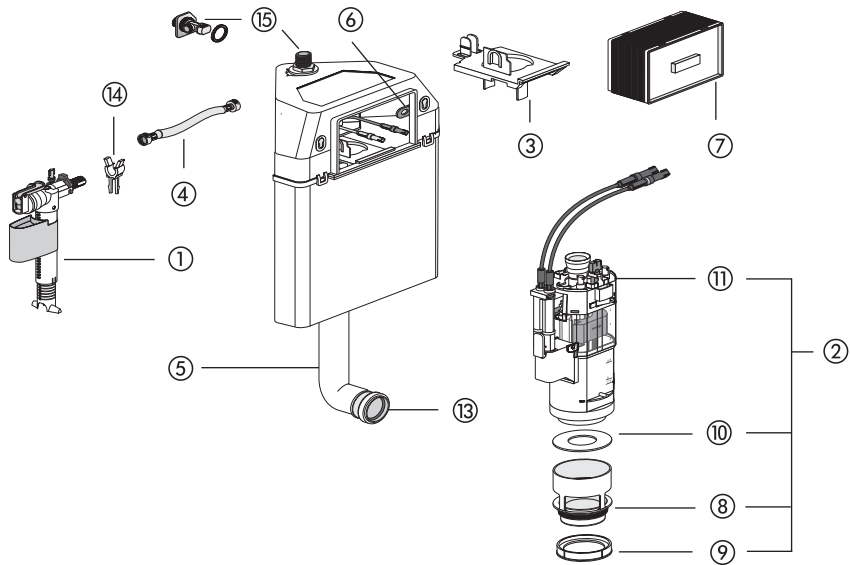


**WC corner element 995 SC, CC-200-S-FO-2V-2C, with small access opening**



No.	Name	Code No.	Recommended price/€
1	Universal fill valve 510, G 3/8 x 30 mm	25.001.00..0000	
2	Universal flush valve INEO	03.982.00..0000	
3	Positioning device	04.173.00..0000	
4	Flexible hose DN6 280 mm	05.266.00..0000	
5	Flush pipe with O-Ring	03.847.00..0000	
6	Toggle	02.972.00..0000	
7	Pretection box, l/w 175 x 115 mm	16.030.00..0000	
8	O-Ring d: 55 x 5	02.436.00..0000	
9	Flush flow reducer	02.758.00..0000	
10	Sealing ring d: 31 x d: 63 x 2.8	02.754.00..0000	
11	Cable box	05.019.00..0000	
12 *	Start/stop set	03.999.00..0000	
13	Lip seal d: 45	02.461.00..0000	
14	Fill valve support	02.971.00..0000	
15	Angle valve connection set R 1/2	05.247.00..0000	